



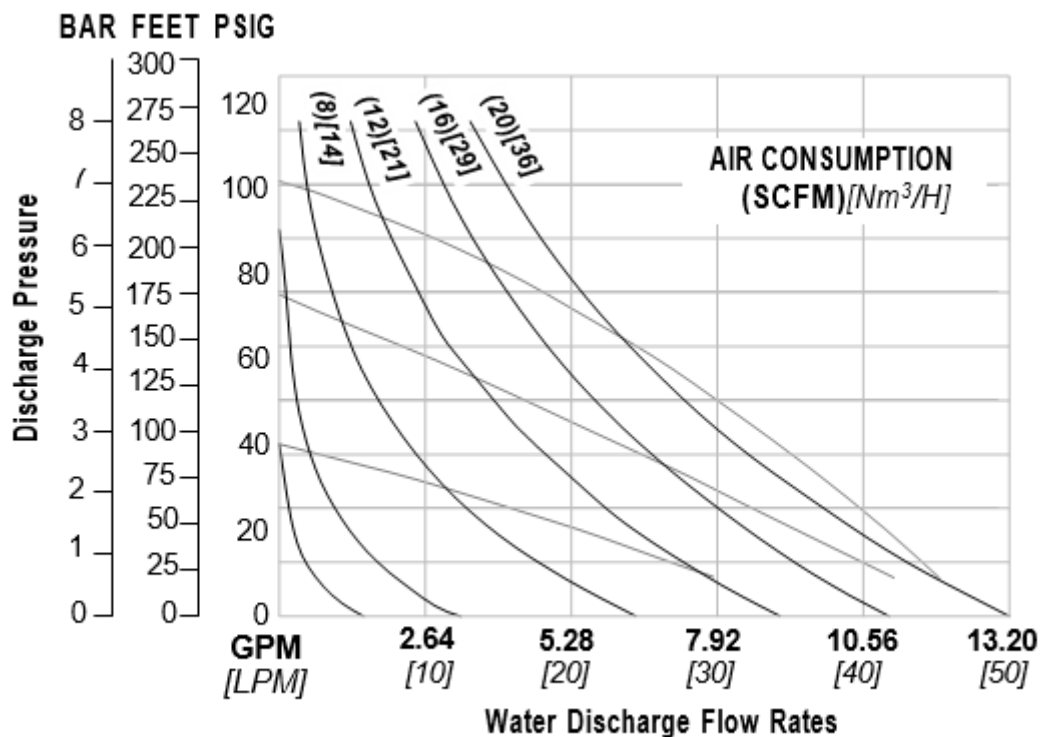
AIR OPERATED DOUBLE DIAPHRAGM PUMP

SECTION 1 – NOMENCLATURE

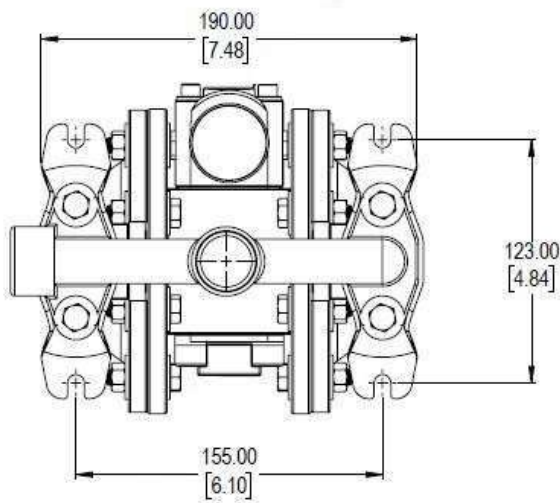
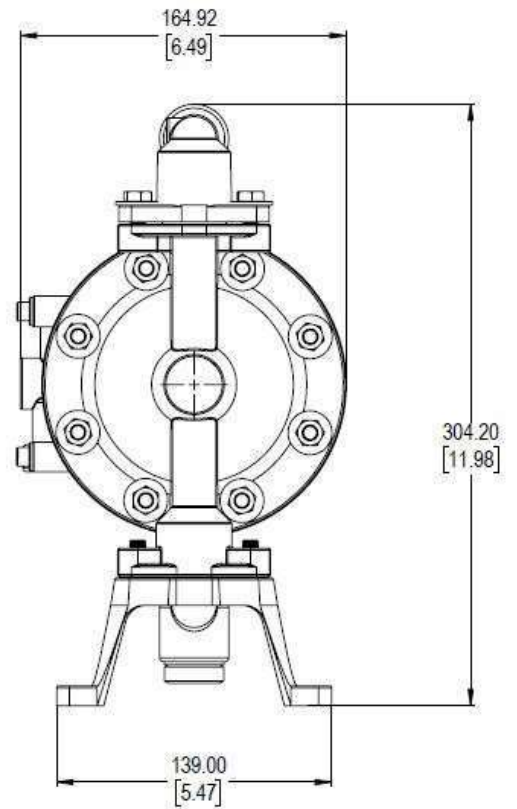
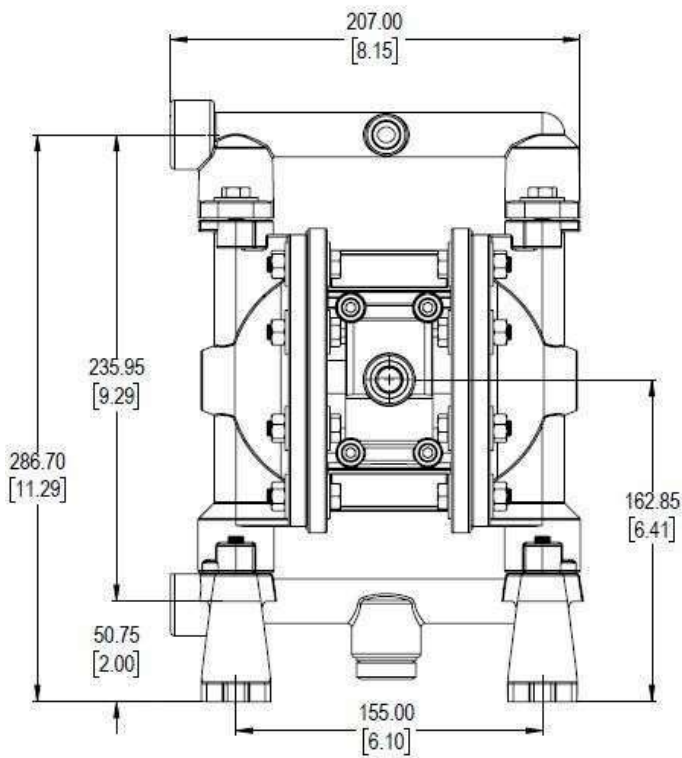
Max Flow rate	: 35Lpm
Port Size	: Inlet : 12.70mm (1/2" BSP) Discharge : 12.70mm (1/2" BSP) Air Inlet : 1/4" BSP Air Exhaust : 12.70mm (1/2 " BSP)
Suction Lift	: Dry : 1.45m (4.75') Wet : 2.83m (9.28')
Teflon	: Dry : 0.50m (1.64') Wet : 0.90m (2.95')
Max Particle Size (Dia)	: 2mm (0.078")
Diaphragm	: Teflon, <u>Santoprene</u> , Buna



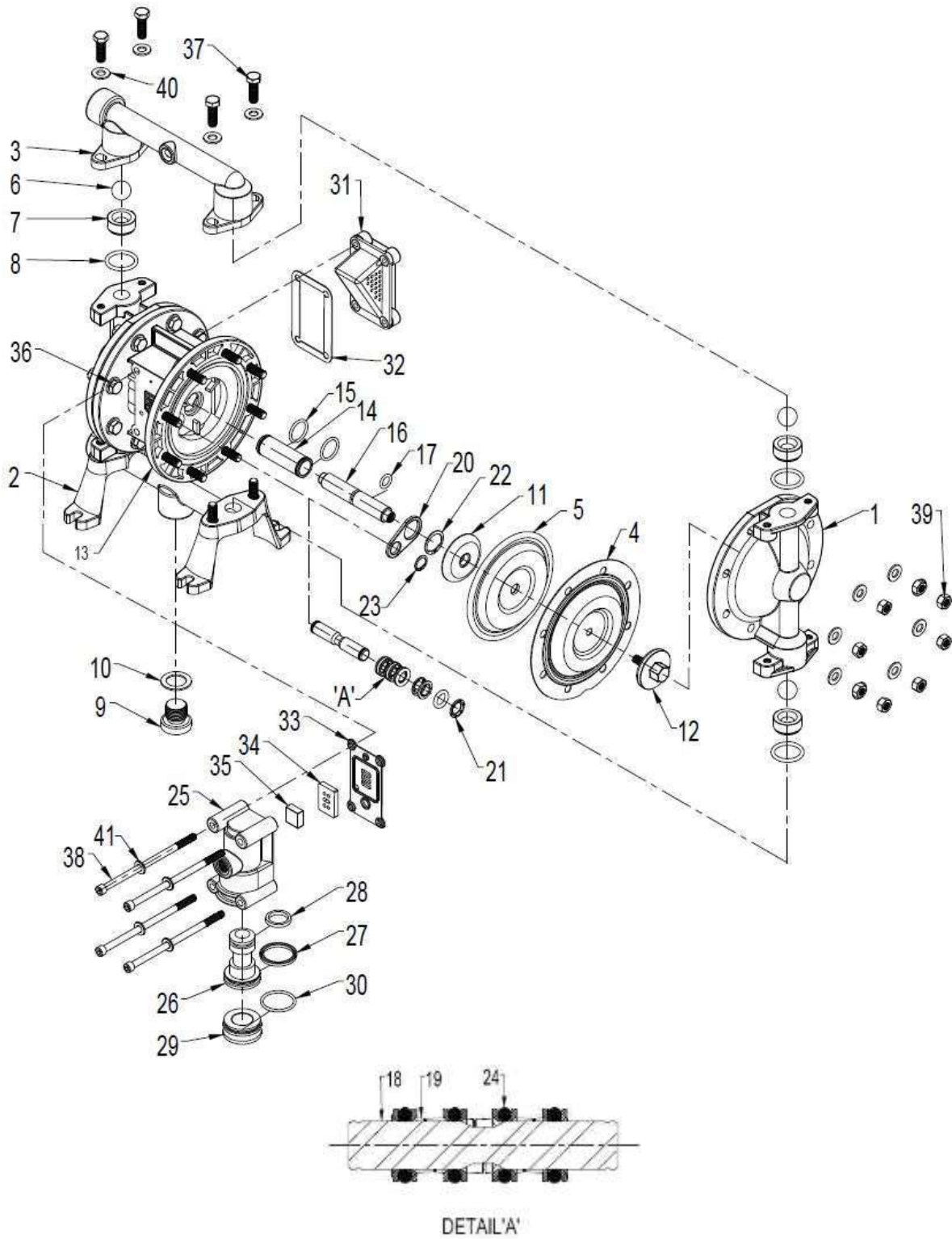
SECTION 2 – FLOW CURVES



SECTION 3 – DIMENSIONS DRAWING



SECTION 4 – PUMP VIEW



SECTION 5 – SPARE PART LIST

SR No.	DISCRIPTION	PART No	QTY
1	LIQUID CHAMBER	A15-1001-01	2
2	SUCTION MANIFOLD	A15-1021-01	1
3	DISCHARGE MANIFOLD	A15-1031-01	1
4	DIAPHRAGM	A15-2001-55	2
5	BACK UP DIAPHRAGM	A15-2101-56	2
6	NRV BALL	15-1041-55	4
7	BALL SEAT	A15-1071-01	4
8	SEAT O RING	A15-3101-53	4
9	MANIFOLD PLUG	A15-1362-01	1
10	MANIFOLD PLUG GASKET	A15-3342-55	1
11	HOLDING PLATE	A15-1111-20	2
12	LOCK NUT	A15-1131-03	2
13	CENTER BLOCK	A15-1301-23	1
14	SLEEVE	A15-0011-07	1
15	SLEEVE O RING	A15-0012-51	2
16	MAIN SHAFT	A15-1341-03	1
17	MAIN SHAFT O RING	A15-0014-51	1
18	PILOT SHAFT	A15-1451-03	1
19	SPACER	A15-1491-01	3
20	PLATE	A15-3186-03	2
21	PILOT SHAFT LOCK WASHER	A15-0021-03	2
22	SLEEVE CIRCLIP	A15-1582-03	2
23	PILOT SHAFT CIRCLIP	A15-1583-03	2
24	PILOT O RING	A15-3176-56	4



FOJI ENGINEERING

SR No.	DISCRIPTION	PART No	QTY
25	PISTON BLOCK	A15-1501-20	1
26	PISTON PVC	A15-1521-69	1
27	U CUP BIG	A15-0028-51	1
28	U CUP SMALL	A15-0029-51	1
29	PISTON PLUG	A15-1571-20	1
30	PISTON PLUG O'RING	A15-3267-51	1
31	PISTON BLOCK EXHAUST COVER	A15-0032-23	1
32	PISTON BLOCK EXHAUST GASKET	A15-0033-60	1
33	PISTON BLOCK GASKET	A15-3324-51	1
34	VALVE PLATE CERAMIC	A15-0035-XX	1
35	VALVE INSERT CERAMIC	A15-0036-XX	1
36	5/16" X 1¼" HEX BOLT SS (CHAMBER BOLT)	04-6028-03	16
37	5/16 X 1" HEX BOLT SS (SUC/DIS)	04-6039-03	8
38	¼ X 5" MS P B ALLEN BOLT	04-6303-61	4
39	5/16 MS HEX NUT	04-6305-61	16
40	5/16 X 20 X 2 MM SS WASHER	04-6216-03	40
41	¼ X 12.5 X 1.2 MM SS WASHER (P B ALLEN BOLT)	04-6202-03	4